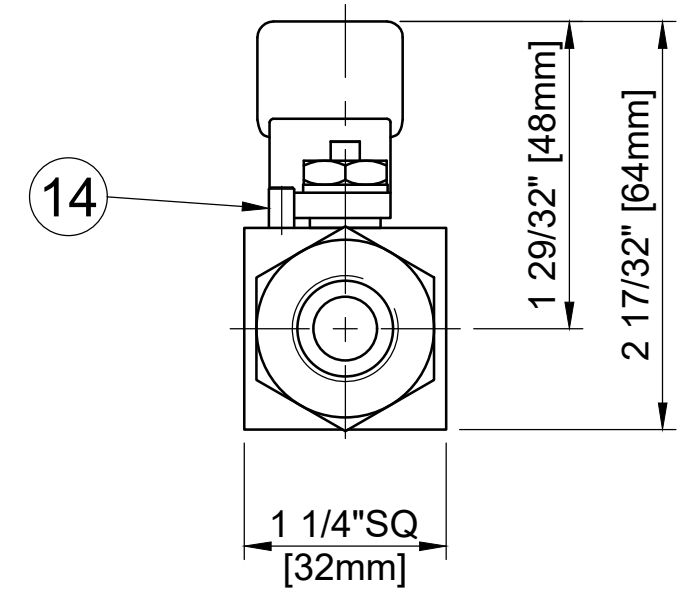
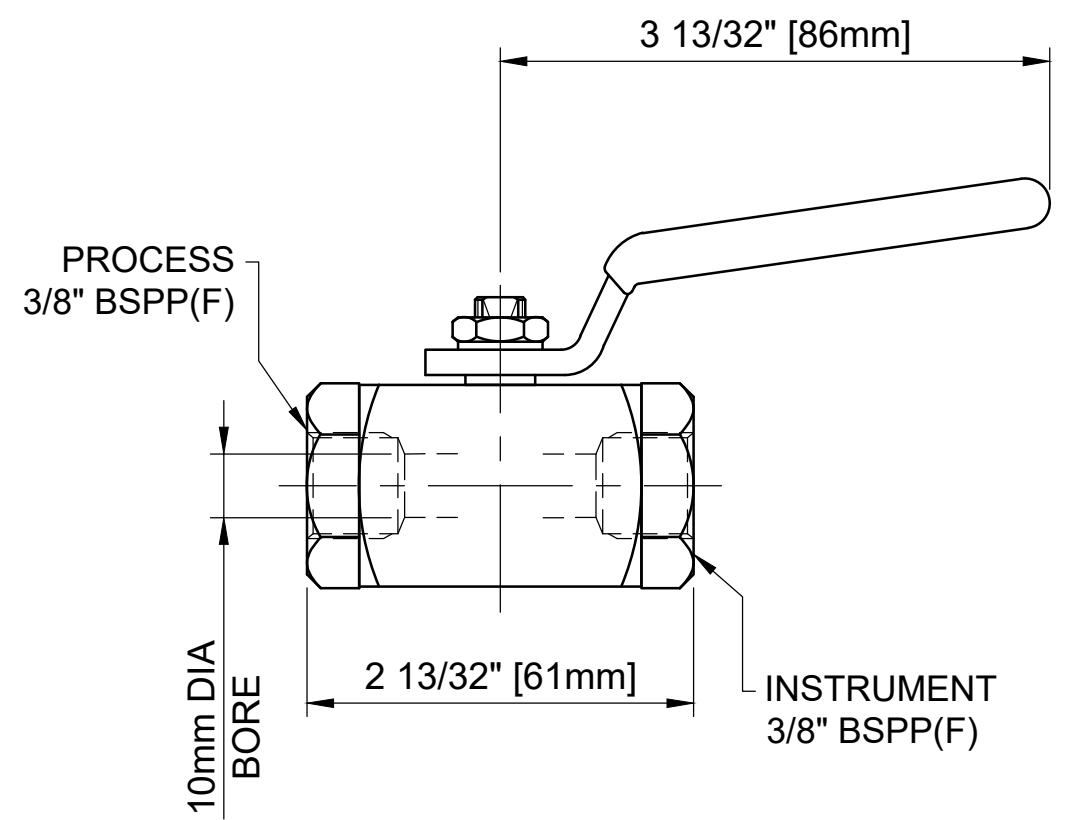


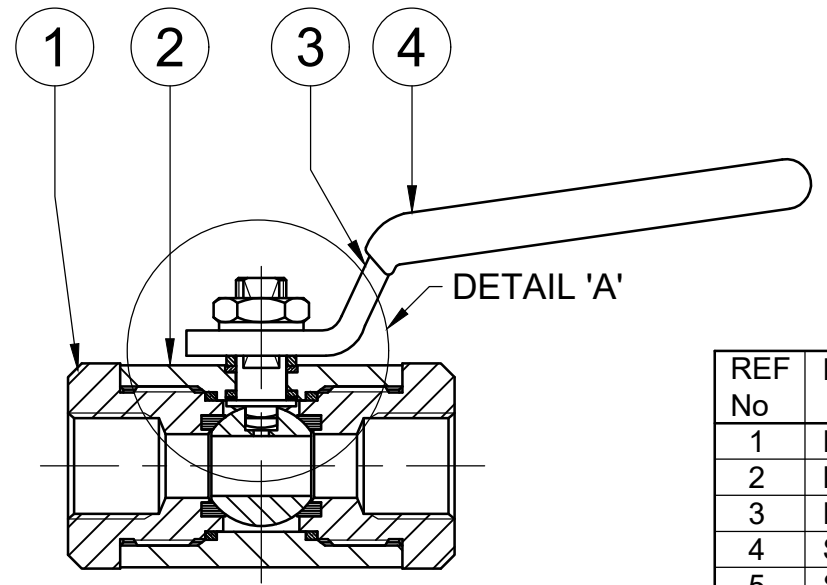
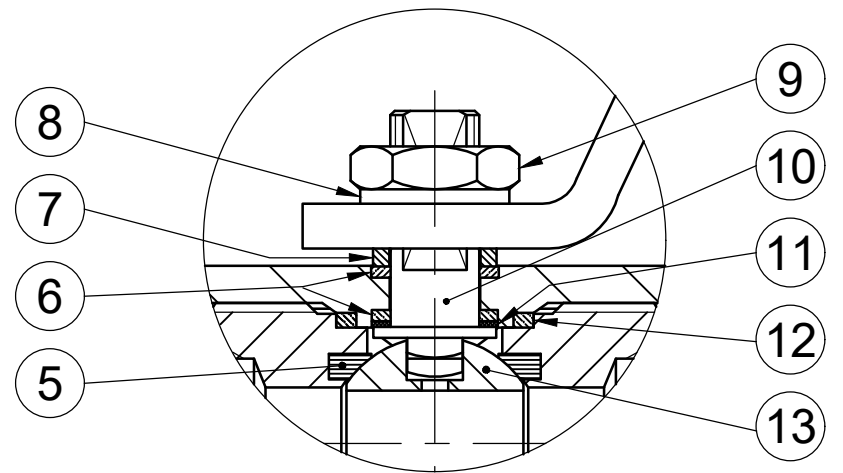
MAXIMUM WORKING CONDITIONS
 COLD WORKING PRESSURE:
 STANDARD, 6,000PSI (414BAR)
 (AT REDUCED TEMPERATURE)

TEMPERATURE:
 -29°C (-20.2°F) TO 200°C (392°F)
 (AT REDUCED PRESSURE)

APPROX WEIGHT
 0.4Kg



DETAIL 'A'



REF No	DESCRIPTION	MATERIAL
		STAINLESS
1	END CONNECTOR	ASTM A276 /A479 316
2	BODY	ASTM A276 /A479 316
3	HANDLE	316 SS
4	SLEEVE	PVC
5	SEAT	MODIFIED PEEK
6	SPINDLE SEALS	15% GLASS FILLED PTFE
7	PISTON RING	316 SS
8	SERRATED WASHER	316 SS
9	NUT	A4 [316] SS
10	SPINDLE	ASTM A276 /A479 316
11	THRUST SEAL	25% GLASS FILLED PTFE
12	BODY SEAL	100% VIRGIN PTFE
13	BALL	ASTM A276 /A479 316
14	STOP PIN	316 SS

MARKING DETAILS
 (MARKING REFERENCE ONLY)



REMARK

- ADDITIONAL TAG PLATE FOR ADDITIONAL INFO UPON REQUESTED
- HCT HEAT CODE TRACEABILITY WILL BE MARKED ON BODY & END FITTINGS

THE INFORMATION CONTAINED IN THIS DRAWING IS THE PROPERTY OF CRANE COMPANY. ANY REPRODUCTION IN PART OR AS A WHOLE WITHOUT THE WRITTEN PERMISSION OF CRANE COMPANY IS PROHIBITED.

APPROVALS	DATE	<p>SPARTANBURG, SOUTH CAROLINA 29303</p> <p>TITLE: GENERAL ARRANGEMENT - 10mm BORE SINGLE ISOLATE BALL VALVE WITH 3/8" BSPP FEMALE CONNECTIONS.</p>
CREATED ZL	13/10/23	
DRAWN ZL	13/10/23	
APPROVED JQ	18/10/23	
BREAK CORNERS 0.005 - 0.010	UNLESS OTHERWISE SPECIFIED, DIMENSIONS ARE IN INCHES	EC NUMBER X
TOLERANCES ARE:	ANGLES ±.1°	INITIAL USAGE (REF ONLY) X
.XXX ±.005	CENTRICITY ±0.015	CAD FILE NAME
.XX ±.010	MACHINE FINISH: 63RMS	SCALE N.T.S.
.X ±.060		SIZE A3
		SCALE N.T.S.

REV C

SHEET 1 OF 1