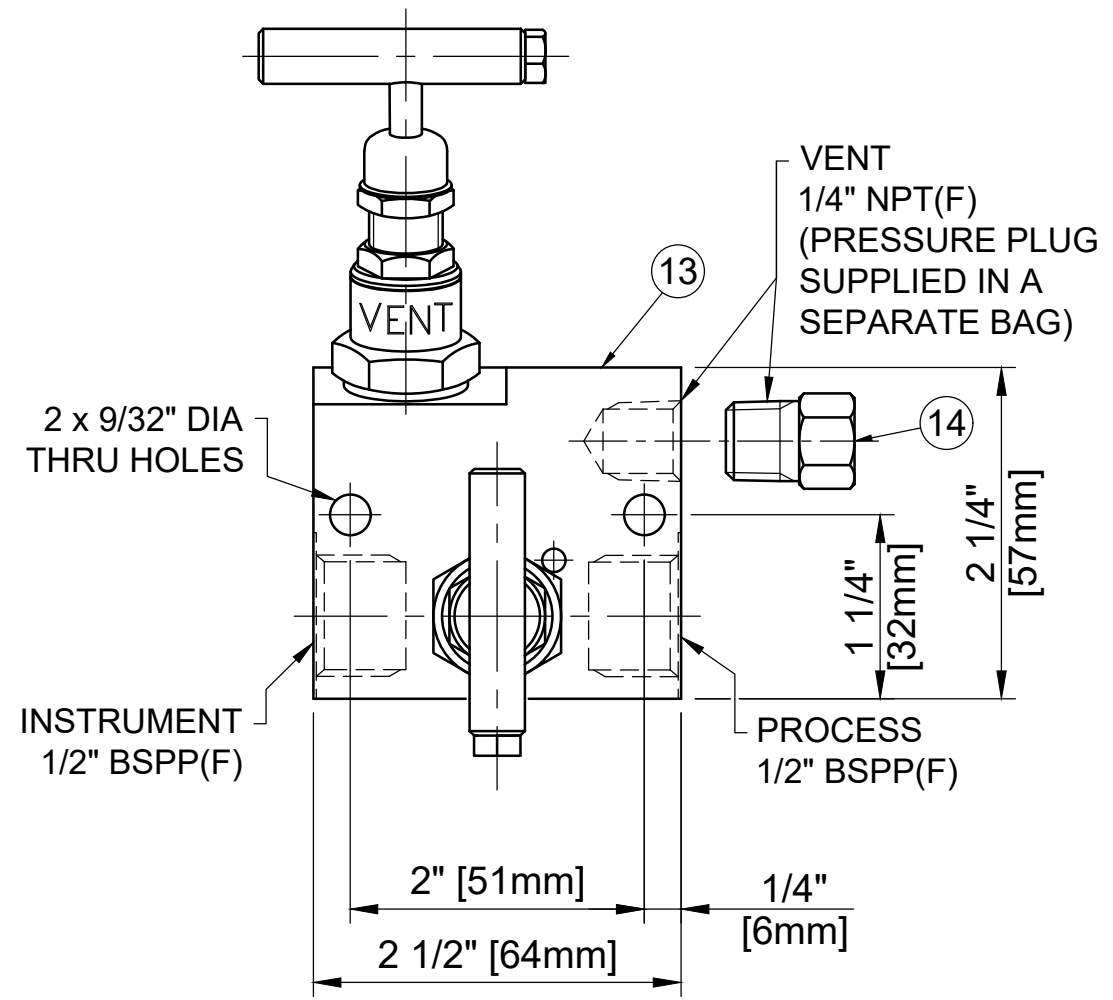
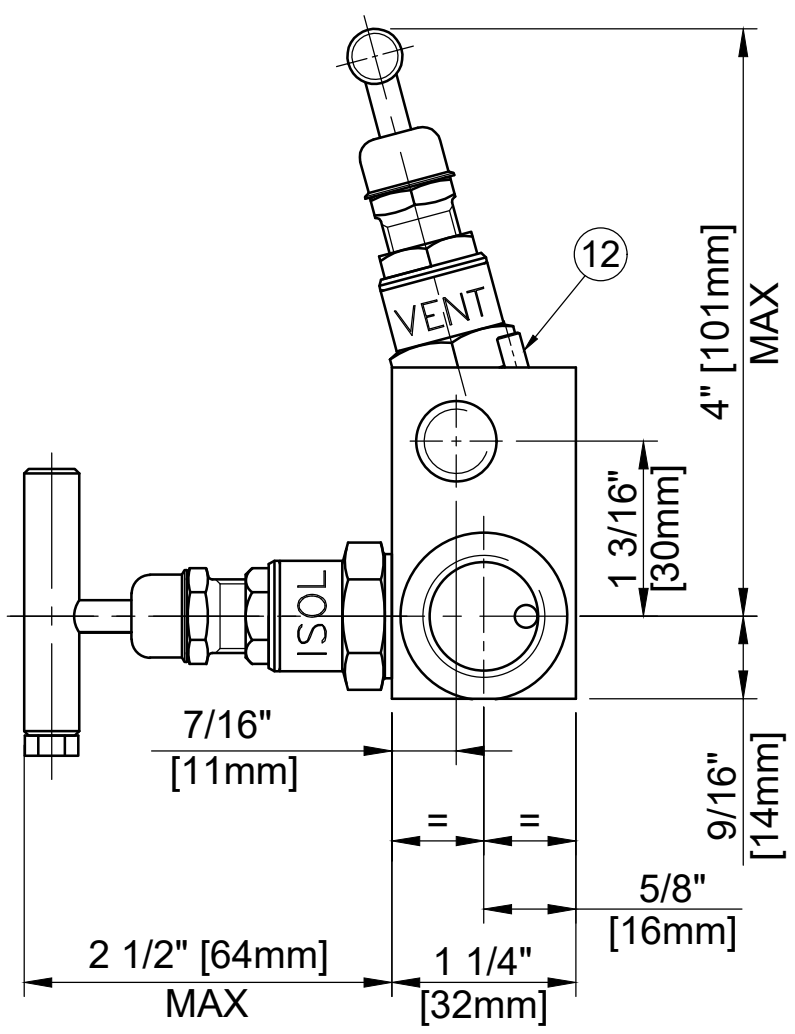


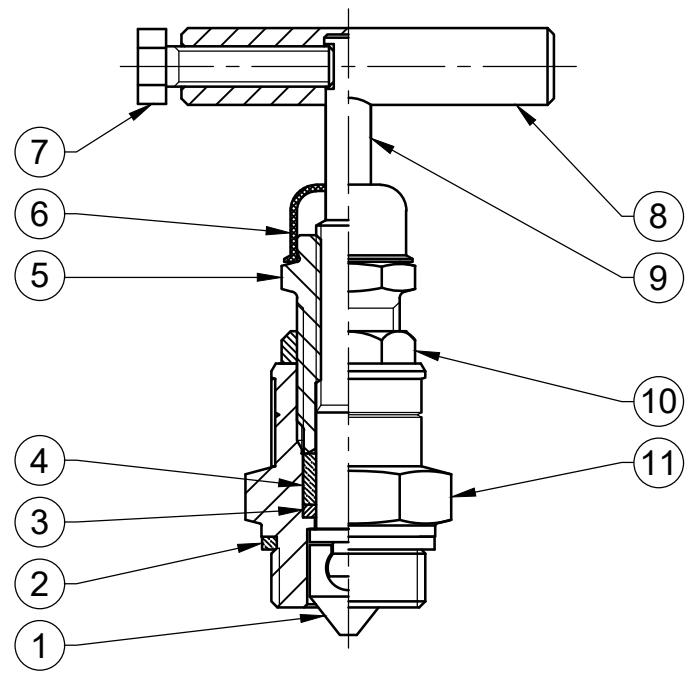
**MAXIMUM WORKING CONDITIONS**  
 COLD WORKING PRESSURE:  
 STANDARD, 6,000PSI (414BAR)  
 (AT REDUCED TEMPERATURE)

TEMPERATURE:  
 -29°C (-20.2°F) TO 240°C (464°F)  
 (AT REDUCED PRESSURE)

APPROX WEIGHT  
 1.0Kg



HEADUNIT DETAIL



| REF No | DESCRIPTION   | MATERIAL            |
|--------|---------------|---------------------|
|        |               | STAINLESS           |
| 1      | TIP           | ASTM A276 /A479 316 |
| 2      | BODY SEAL     | 100% VIRGIN PTFE    |
| 3      | PISTON RING   | 316 SS              |
| 4      | SEAL BUSH     | 100% VIRGIN PTFE    |
| 5      | PUSHER        | 316 SS              |
| 6      | DUST CAP      | LOTREX 2300         |
| 7      | SCREW         | A4 [316] SS         |
| 8      | TEE BAR       | 316 SS              |
| 9      | SPINDLE       | ASTM A276 /A479 316 |
| 10     | LOCKNUT       | 316 SS              |
| 11     | SEAL HOUSING  | ASTM A276 /A479 316 |
| 12     | LOCK PIN      | 316 SS              |
| 13     | BODY          | ASTM A276 /A479 316 |
| 14     | PRESSURE PLUG | ASTM A276 /A479 316 |

MARKING DETAILS  
 (MARKING REFERENCE ONLY)



REMARK

- ADDITIONAL TAG PLATE FOR ADDITIONAL INFO UPON REQUESTED
- HCT HEAT CODE TRACEABILITY WILL BE MARKED ON BODY & END FITTINGS

THE INFORMATION CONTAINED IN THIS DRAWING IS THE PROPERTY OF CRANE COMPANY. ANY REPRODUCTION IN PART OR AS A WHOLE WITHOUT THE WRITTEN PERMISSION OF CRANE COMPANY IS PROHIBITED.

|                             |  |  |
|-----------------------------|--|--|
| APPROVALS                   | DATE   | <p>SPARTANBURG, SOUTH CAROLINA 29303</p>   |
| CREATED ZL                  | 11/10/2023   |  |
| DRAWN ZL                    | 11/10/2023   |  |
| APPROVED JQ                 | 17/10/2023   |  |
| BREAK CORNERS 0.005 - 0.010 | UNLESS OTHERWISE SPECIFIED, DIMENSIONS ARE IN INCHES | TITLE GENERAL ARRANGEMENT<br>TYPE G12AF 1/2" FEMALE x FEMALE<br>GAUGE ISOLATE VALVE, BSPP INLET AND OUTLET |
| TOLERANCES ARE:             | ANGLES ±.01"   | SIZE A3<br>SCALE N.T.S.  |
| .XXX +.005                  | CONCENTRICITY ±.015                                  | DWG NO. A18687<br>SHEET 1 OF 1   |
| .XX +.010                   | MACHINE FINISH 6.3RMS                                |  |
| X +.060                     |  |  |