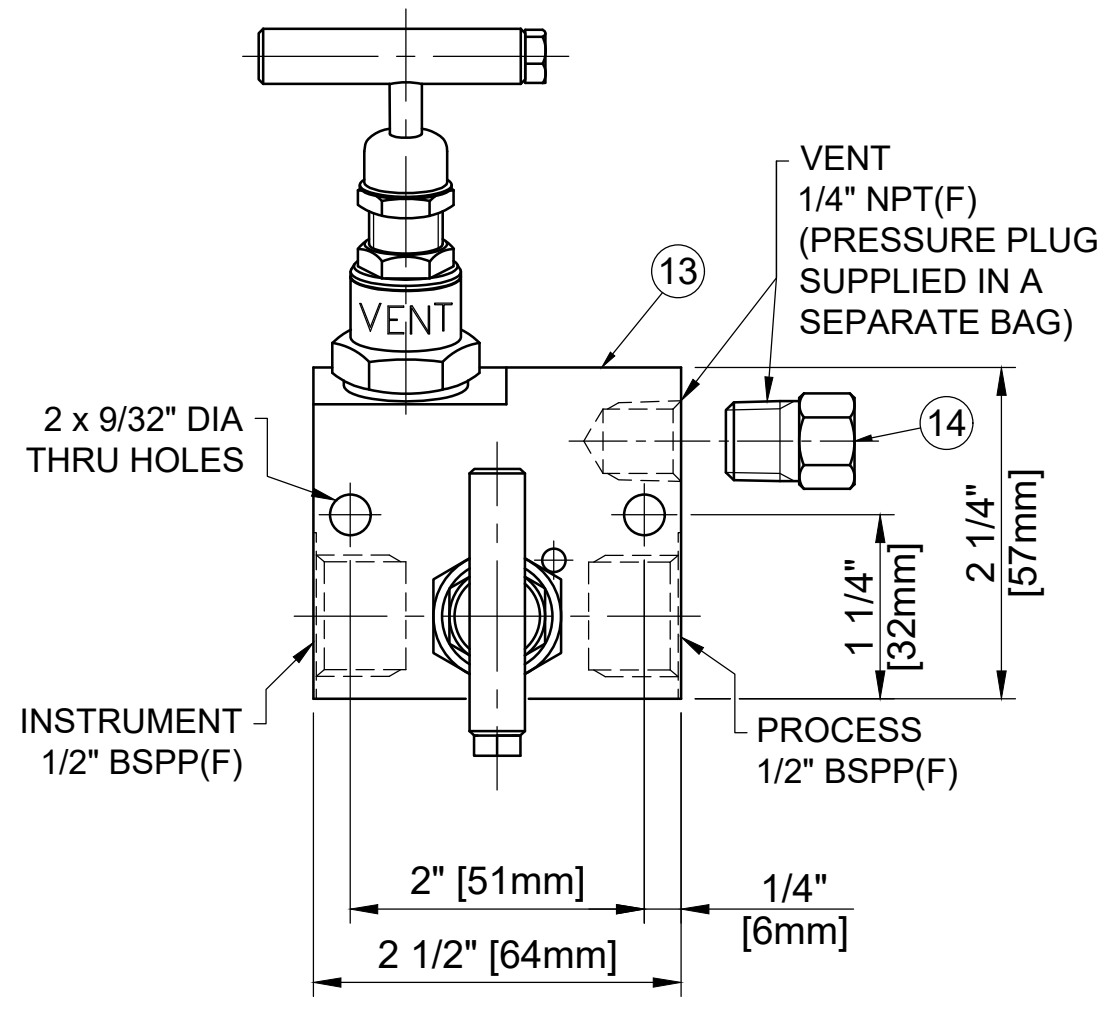
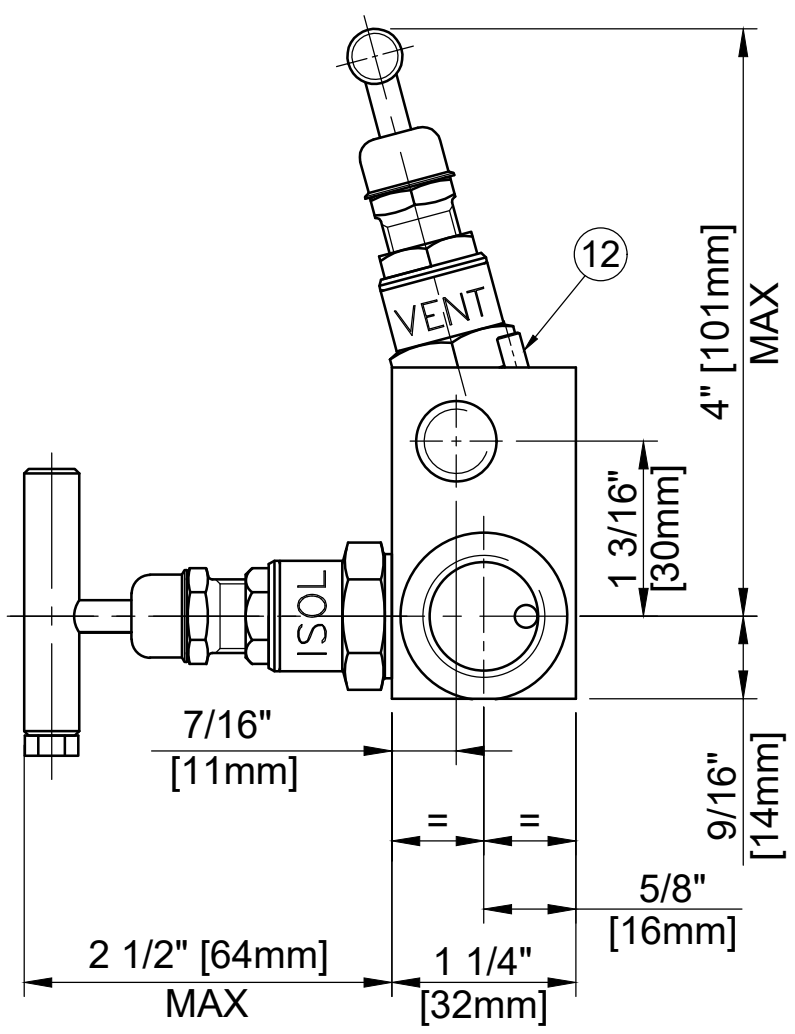
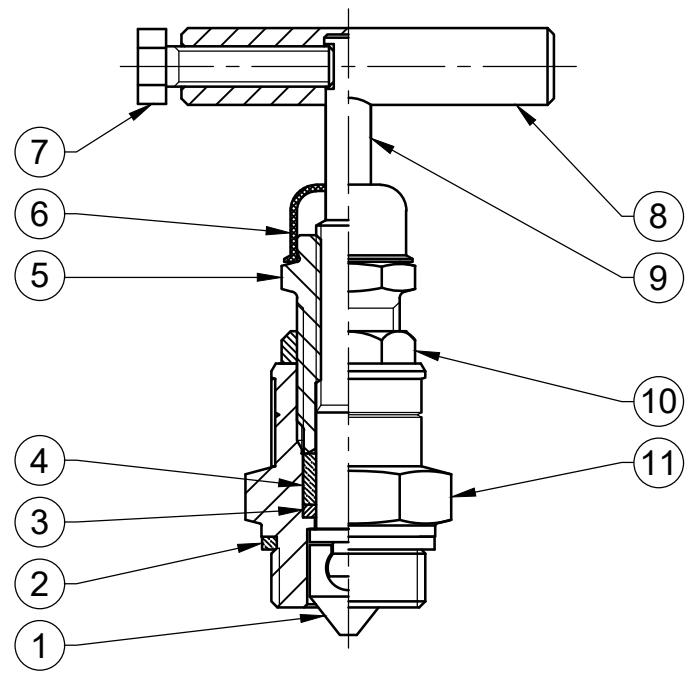


**MAXIMUM WORKING CONDITIONS**  
**COLD WORKING PRESSURE:**  
 STANDARD, 6,000PSI (414BAR)  
 (AT REDUCED TEMPERATURE)  
**TEMPERATURE:**  
 -29°C (-20.2°F) TO 240°C (464°F)  
 (AT REDUCED PRESSURE)

**APPROX WEIGHT**  
 1.0Kg



**HEADUNIT DETAIL**



REF No	DESCRIPTION	MATERIAL
		STAINLESS
1	TIP	ASTM A276 /A479 316
2	BODY SEAL	100% VIRGIN PTFE
3	PISTON RING	316 SS
4	SEAL BUSH	100% VIRGIN PTFE
5	PUSHER	316 SS
6	DUST CAP	LOTREX 2300
7	SCREW	A4 [316] SS
8	TEE BAR	316 SS
9	SPINDLE	ASTM A276 /A479 316
10	LOCKNUT	316 SS
11	SEAL HOUSING	ASTM A276 /A479 316
12	LOCK PIN	316 SS
13	BODY	ASTM A276 /A479 316
14	PRESSURE PLUG	ASTM A276 /A479 316

**MARKING DETAILS**  
 (MARKING REFERENCE ONLY)



**REMARK**  
 • ADDITIONAL TAG PLATE FOR ADDITIONAL INFO UPON REQUESTED  
 • HCT HEAT CODE TRACEABILITY WILL BE MARKED ON BODY & END FITTINGS

THE INFORMATION CONTAINED IN THIS DRAWING IS THE PROPERTY OF CRANE COMPANY. ANY REPRODUCTION IN PART OR AS A WHOLE WITHOUT THE WRITTEN PERMISSION OF CRANE COMPANY IS PROHIBITED.

APPROVALS	DATE	 SPARTANBURG, SOUTH CAROLINA 29303 TITLE: GENERAL ARRANGEMENT TYPE G12AF 1/2" FEMALE x FEMALE GAUGE ISOLATE VALVE, BSPP INLET AND OUTLET SIZE: A3 SCALE: N.T.S. SHEET 1 OF 1
CREATED ZL	11/10/2023	
DRAWN ZL	11/10/2023	
APPROVED JQ	17/10/2023	
BREAK CORNERS 0.005 - 0.010	UNLESS OTHERWISE SPECIFIED, DIMENSIONS ARE IN INCHES	
TOLERANCES ARE: .XXX +.005 ANGLES 1:1 .XX +.010 CONCENTRICITY 1:8 0.015 X +.060 MACHINE FINISH 63RMS		
REMOVE ALL BURRS, DO NOT SCALE DRAWING, DRILL POINTS STD		
EC NUMBER X INITIAL USAGE (REF ONLY) X CAD FILE NAME		