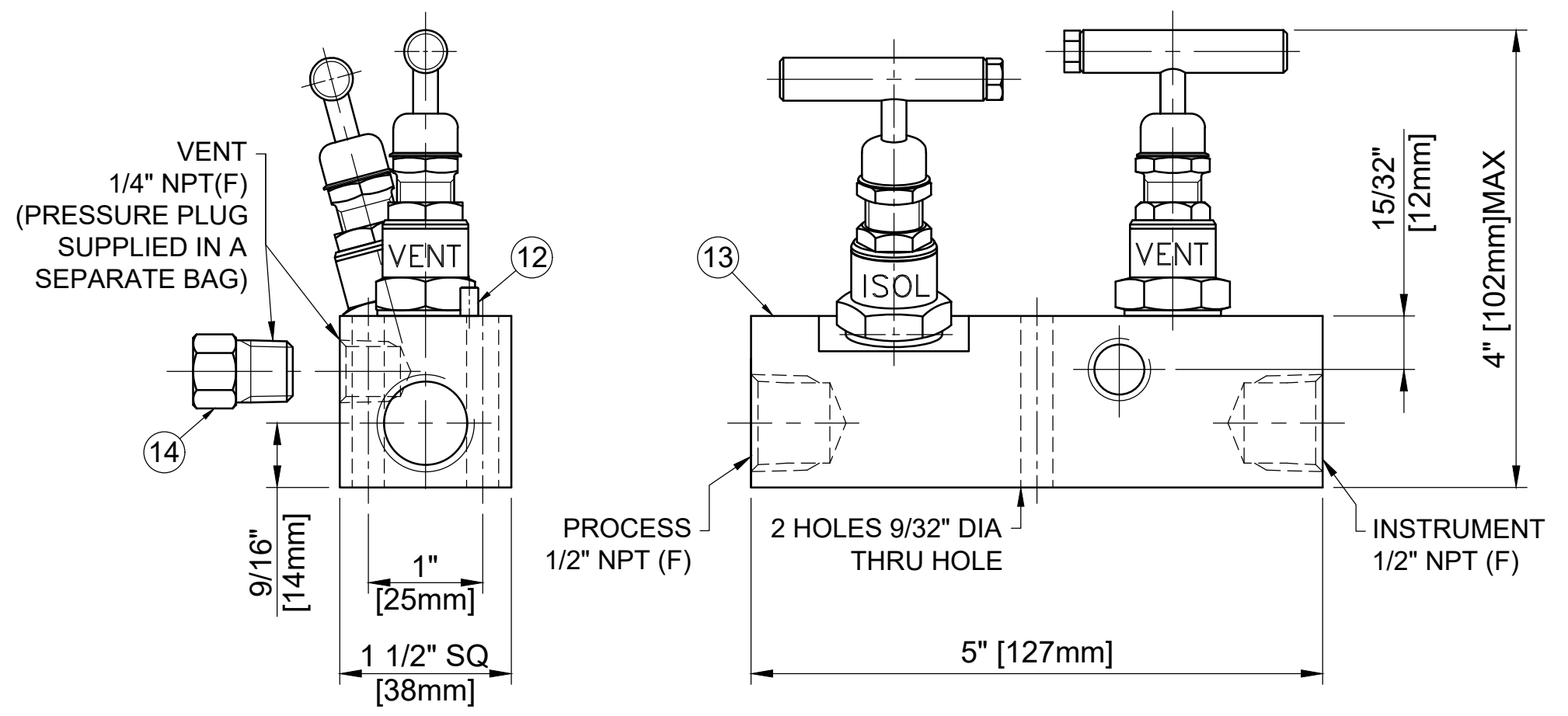
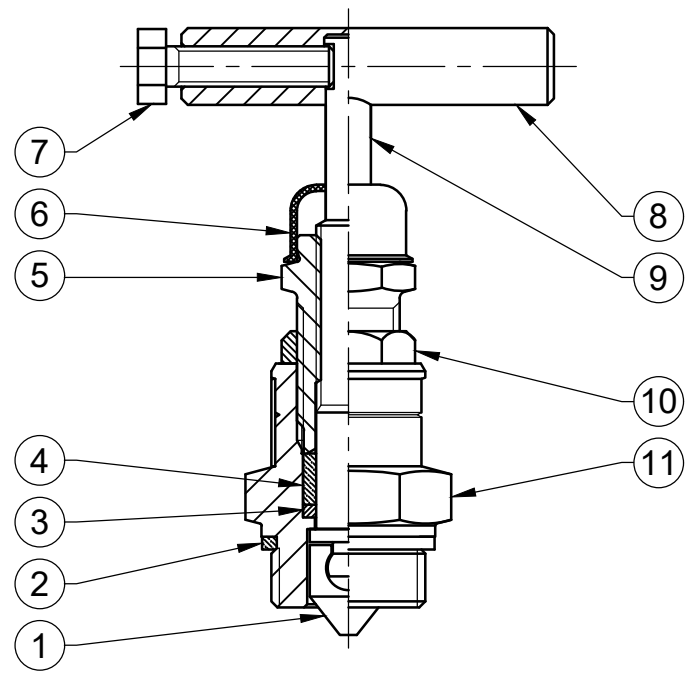


**MAXIMUM WORKING CONDITIONS**  
 COLD WORKING PRESSURE:  
 STANDARD, 6,000PSI (414BAR)  
 (AT REDUCED TEMPERATURE)  
 TEMPERATURE:  
 -29°C (-20.2°F) TO 240°C (464°F)  
 (AT REDUCED PRESSURE)

APPROX WEIGHT  
 1.0Kg



HEADUNIT DETAIL



REF No	DESCRIPTION	MATERIAL
		6MO
1	TIP	ASTM A276/A479 UNS S31254
2	BODY SEAL	100% VIRGIN PTFE
3	PISTON RING	UNS S31254
4	SEAL BUSH	100% VIRGIN PTFE
5	PUSHER	316 SS
6	DUST CAP	LOTREX 2300
7	SCREW	A4 [316] SS
8	TEE BAR	316 SS
9	SPINDLE	ASTM A276/A479 UNS S31254
10	LOCKNUT	316 SS
11	SEAL HOUSING	ASTM A276/A479 UNS S31254
12	LOCK PIN	316 SS
13	BODY	ASTM A276/A479 UNS S31254
14	PRESSURE PLUG	ASTM A276/A479 UNS S31254

MARKING DETAILS  
 (MARKING REFERENCE ONLY)



REMARK  
 • ADDITIONAL TAG PLATE FOR ADDITIONAL INFO UPON REQUESTED  
 • HCT HEAT CODE TRACEABILITY WILL BE MARKED ON BODY & END FITTINGS

THE INFORMATION CONTAINED IN THIS DRAWING IS THE PROPERTY OF CRANE COMPANY. ANY REPRODUCTION IN PART OR AS A WHOLE WITHOUT THE WRITTEN PERMISSION OF CRANE COMPANY IS PROHIBITED.

REMOVE ALL BURRS, DO NOT SCALE DRAWING, DRILL POINTS STD

BREAK CORNERS 0.005 - 0.010

UNLESS OTHERWISE SPECIFIED, DIMENSIONS ARE IN INCHES

TOLERANCES ARE:  
 .XXX + .005 ANGLES ± .1°  
 .XX + .010 CONCENTRICITY ± .015  
 X + .060 MACHINE FINISH 63RMS

APPROVALS		DATE
CREATED	ZL	12/12/2023
DRAWN	ZL	12/12/2023
APPROVED	GT	14/12/2023

EC NUMBER X

INITIAL USAGE (REF ONLY) X

CAD FILE NAME

CRANE	HOKE
SPARTANBURG, SOUTH CAROLINA 29303	
TITLE GENERAL ARRANGEMENT TYPE Y2PM 2 VALVE REMOTE MOUNT MANIFOLD	
SIZE A3	PAGE CODE -
SCALE N.T.S.	ECOM NO XXXXX
DWG NO. A18783	REV B
SHEET 1 OF 1	