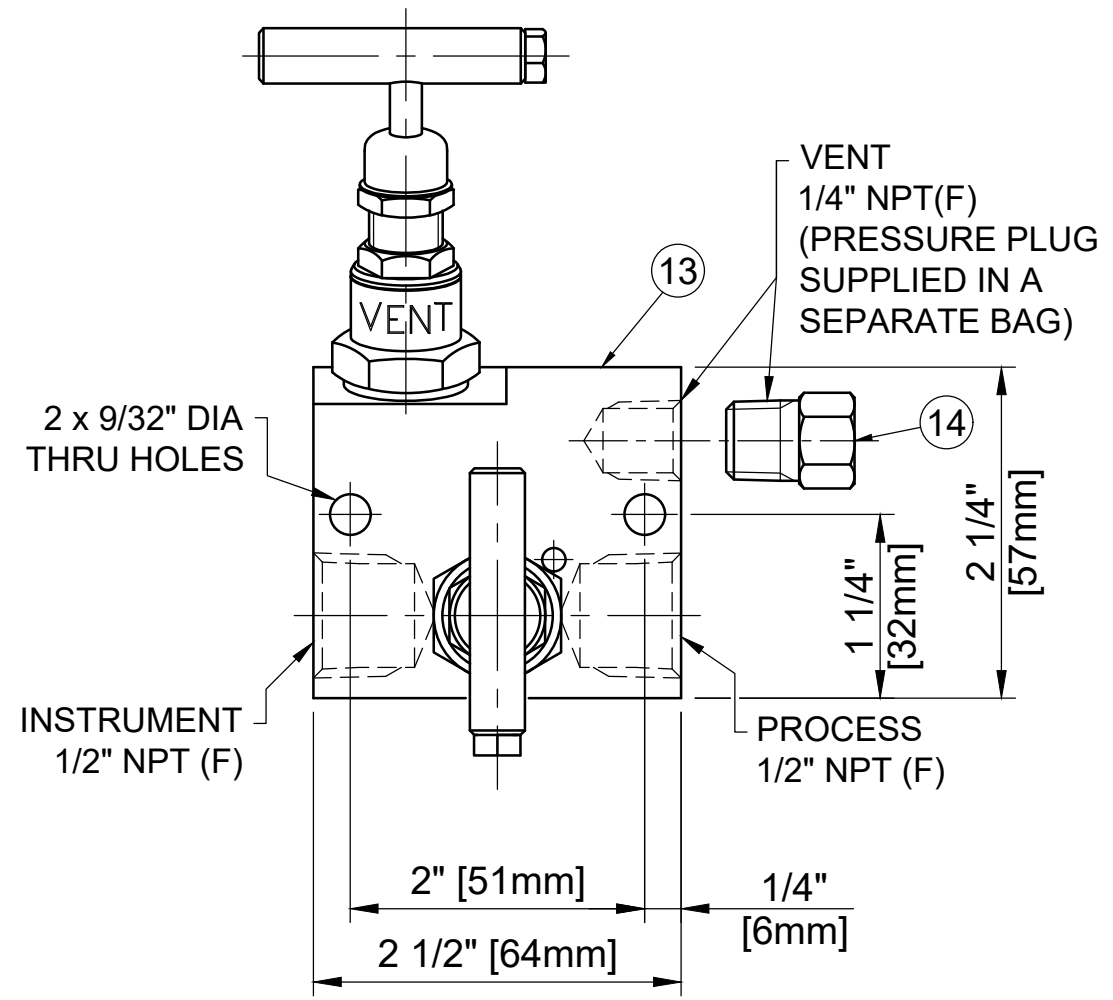
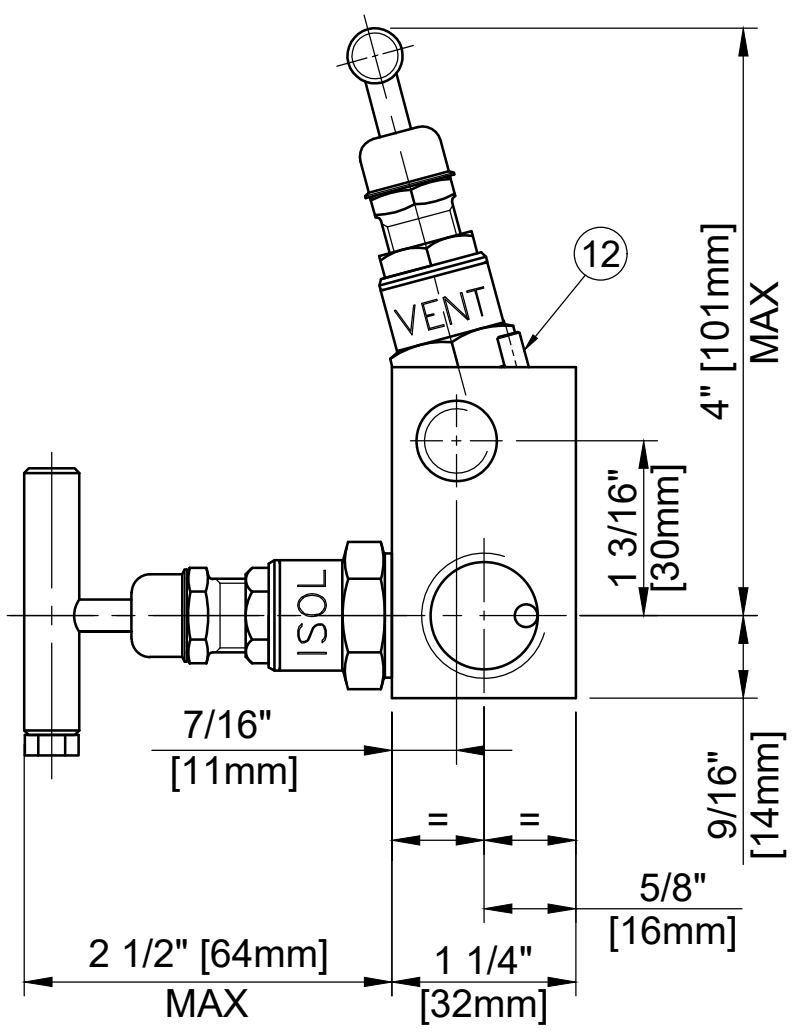
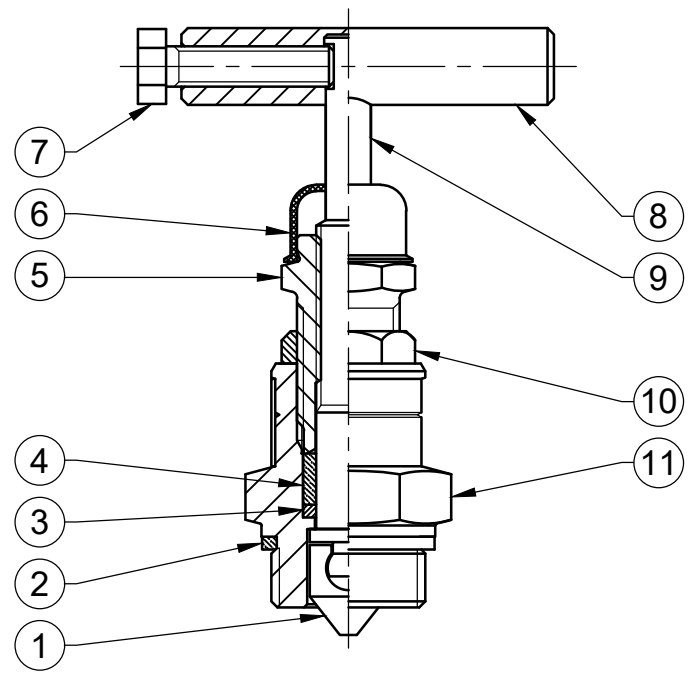


**MAXIMUM WORKING CONDITIONS**  
 COLD WORKING PRESSURE:  
 STANDARD, 6,000PSI (414BAR)  
 (AT REDUCED TEMPERATURE)  
 TEMPERATURE:  
 -29°C (-20.2°F) TO 240°C (464°F)  
 (AT REDUCED PRESSURE)

APPROX WEIGHT  
 0.6Kg



HEADUNIT DETAIL



REF No	DESCRIPTION	MATERIAL
		TITANIUM
1	TIP	ASTM B348 GR5
2	BODY SEAL	100% VIRGIN PTFE
3	PISTON RING	ASTM B348 GR5
4	SEAL BUSH	100% VIRGIN PTFE
5	PUSHER	316 SS
6	DUST CAP	LOTREX 2300
7	SCREW	A4 [316] SS
8	TEE BAR	316 SS
9	SPINDLE	ASTM B348 GR5
10	LOCKNUT	316 SS
11	SEAL HOUSING	ASTM B348 GR5
12	LOCK PIN	316 SS
13	BODY	ASTM B348 GR5
14	PRESSURE PLUG	ASTM B348 GR5

MARKING DETAILS  
 (MARKING REFERENCE ONLY)



REMARK  
 • ADDITIONAL TAG PLATE FOR ADDITIONAL INFO UPON REQUESTED  
 • HCT HEAT CODE TRACEABILITY WILL BE MARKED ON BODY & END FITTINGS

THE INFORMATION CONTAINED IN THIS DRAWING IS THE PROPERTY OF CRANE COMPANY. ANY REPRODUCTION IN PART OR AS A WHOLE WITHOUT THE WRITTEN PERMISSION OF CRANE COMPANY IS PROHIBITED.

APPROVALS	DATE	 SPARTANBURG, SOUTH CAROLINA 29303
CREATED ZL	11/10/2023	
DRAWN ZL	11/10/2023	TITLE GENERAL ARRANGEMENT TYPE G12AF 1/2" FEMALE x FEMALE GAUGE ISOLATE VALVE
APPROVED JQ	17/10/2023	
BREAK CORNERS 0.005 - 0.010	UNLESS OTHERWISE SPECIFIED, DIMENSIONS ARE IN INCHES	SIZE A3 SCALE N.T.S. ECN NUMBER X INITIAL USAGE (REF ONLY) X CAD FILE NAME
TOLERANCES ARE: .XXX +.005 ANGLE .1° .XX +.010 CONCENTRICITY .0015 .X +.060 MACHINE FINISH 63RMS		DWG NO. A18701 SHEET 1 OF 1